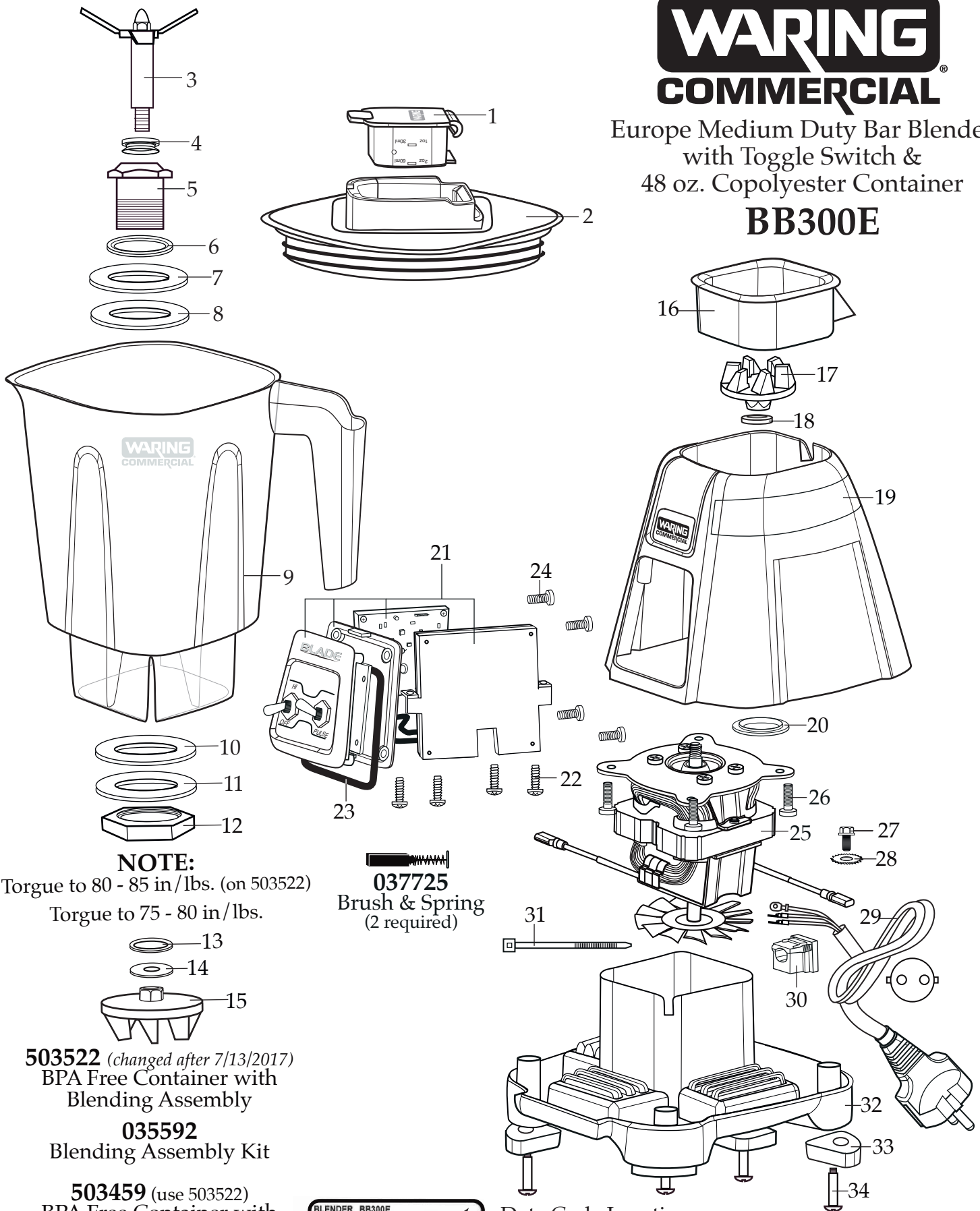


WARING COMMERCIAL®

Europe Medium Duty Bar Blender
with Toggle Switch &
48 oz. Copolyester Container
BB300E



NOTE:

Torque to 80 - 85 in./lbs. (on 503522)

Torque to 75 - 80 in./lbs.

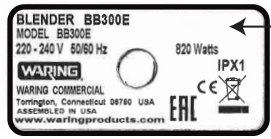


037725
Brush & Spring
(2 required)

503522 (changed after 7/13/2017)
BPA Free Container with
Blending Assembly

035592
Blending Assembly Kit

503459 (use 503522)
BPA Free Container with
Blending Assembly



Date Code Location
YY|MM|DD
year|year|month|month|day|day

| Illustration# | Part# | Description |
|----------------------|--------------|--|
| 1 | 035153 | Jar Cover Lid |
| 2 | 036319-P | Jar Lid / polyone <i>(on units after 5/13/2020)</i> |
| | 036319-V | Jar Lid / vinyl <i>(on units after 5/17/2019)</i> |
| | 036319-M | Jar Lid with Ribs / monoprene <i>(on units after 8/24/2018 use 036319-P)</i> |
| | 033625-M | Jar Lid / monoprene <i>(on units after 11/16/2016)</i> |
| | 033625-V | Jar Lid / vinyl |
| 3 | 503444 | Blade Assembly |
| 4 | 027716 | V Seal |
| 5 | 503458 | Bearing Holder / Seal Assembly |
| 6 | 009724 | Nylon Flat Washer |
| 7 | 003537 | Stainless Steel Washer |
| 8 | 003509 | Neoprene Washer (rubber) |
| 9 | 033626 | 48 oz. BPA Free Copolyester Container ONLY |
| 10 | 003509 | Neoprene Washer (rubber) |
| 11 | 003537 | Stainless Steel Washer |
| 12 | 034156 | Bearing Holder Nut |
| 13 | 003526 | Phenolic Washer |
| 14 | 035048 | Flat Stainless Steel Washer |
| 15 | 503520 | Coupling <i>(on units after 7/13/2017)</i> |
| | 032453 | Coupling |
| 16 | 033623 | Jar Pad |
| 17 | 503520 | Coupling <i>(on units after 7/13/2017)</i> |
| | 032453 | Coupling |
| 18 | 035756 | Stainless Steel Cap Washer <i>(on units after 8/4/2016)</i> |
| | 026413 | Stainless Steel Cap Washer |
| 19 | 033616 | Top Housing |
| 20 | 026269 | Upper Motor Mount |
| 21 | 035415 | PCB Control Panel |
| 22 | 033526 | Screw (4 required) |
| 23 | 033737 | O Ring |
| 24 | 026267 | Screw (4 required) |
| 25 | 035170 | 230 volt Chiaphua Motor |
| 26 | 032611 | Screw (4 required) |
| 27 | 027278 | Ground Screw (2 required) |

| Illustration# | Part# | Description |
|---------------|------------------|--|
| 28 | 002943 | Washer (3 required) |
| 29 | 503490 | Cordset Assembly |
| 30 | 033619 | Strain Relief |
| 31 | 013731 | Wire Tie (2 required <i>on units after 1/26/2017</i>) - (1 required) |
| 32 | 035282 | Bottom Housing |
| 33 | 035287 033620 | Foot (4 required <i>on units after 8/4/2016</i>) Foot (4 required) |
| 34 | 035260 | Screw (4 required) |

